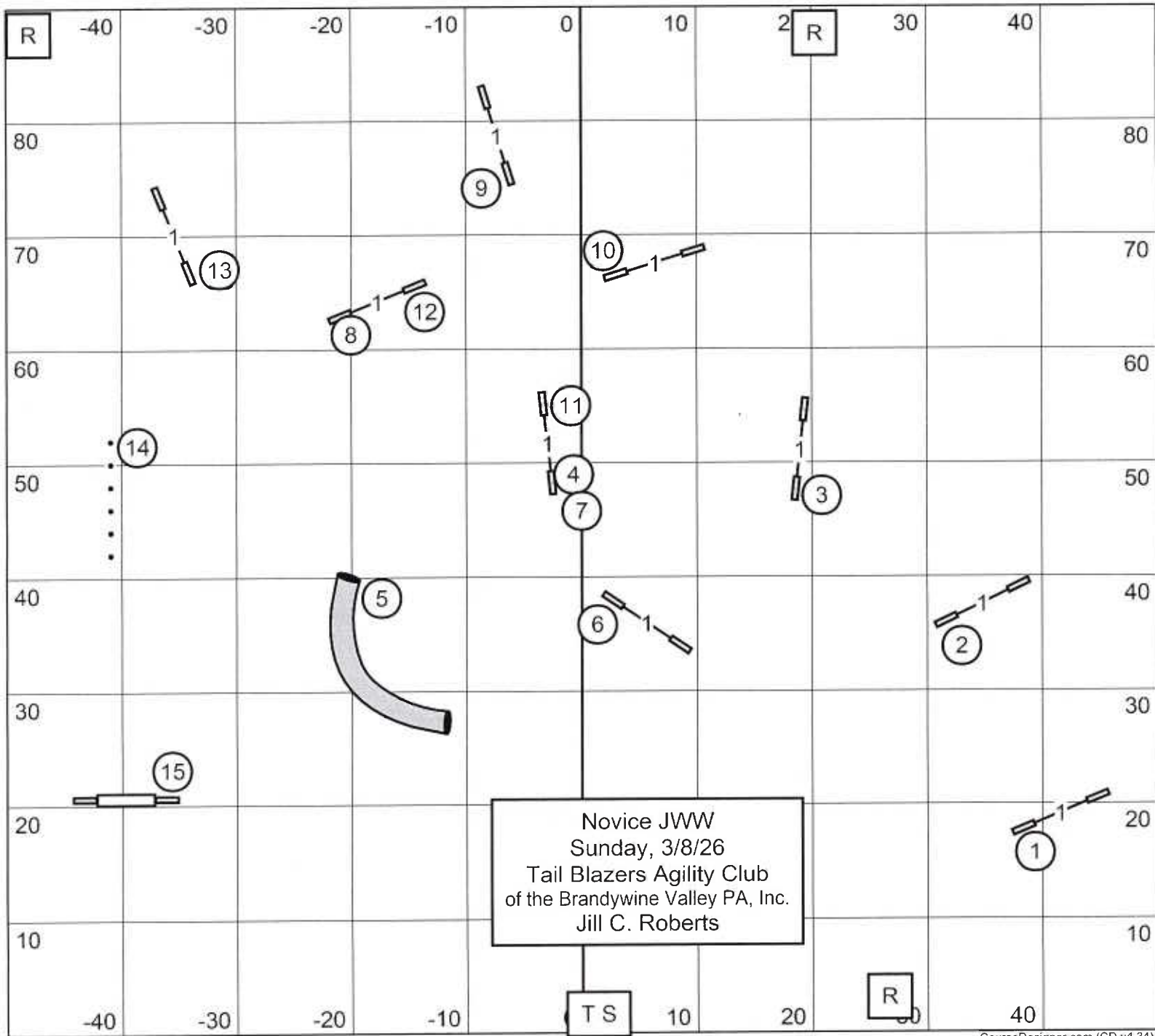
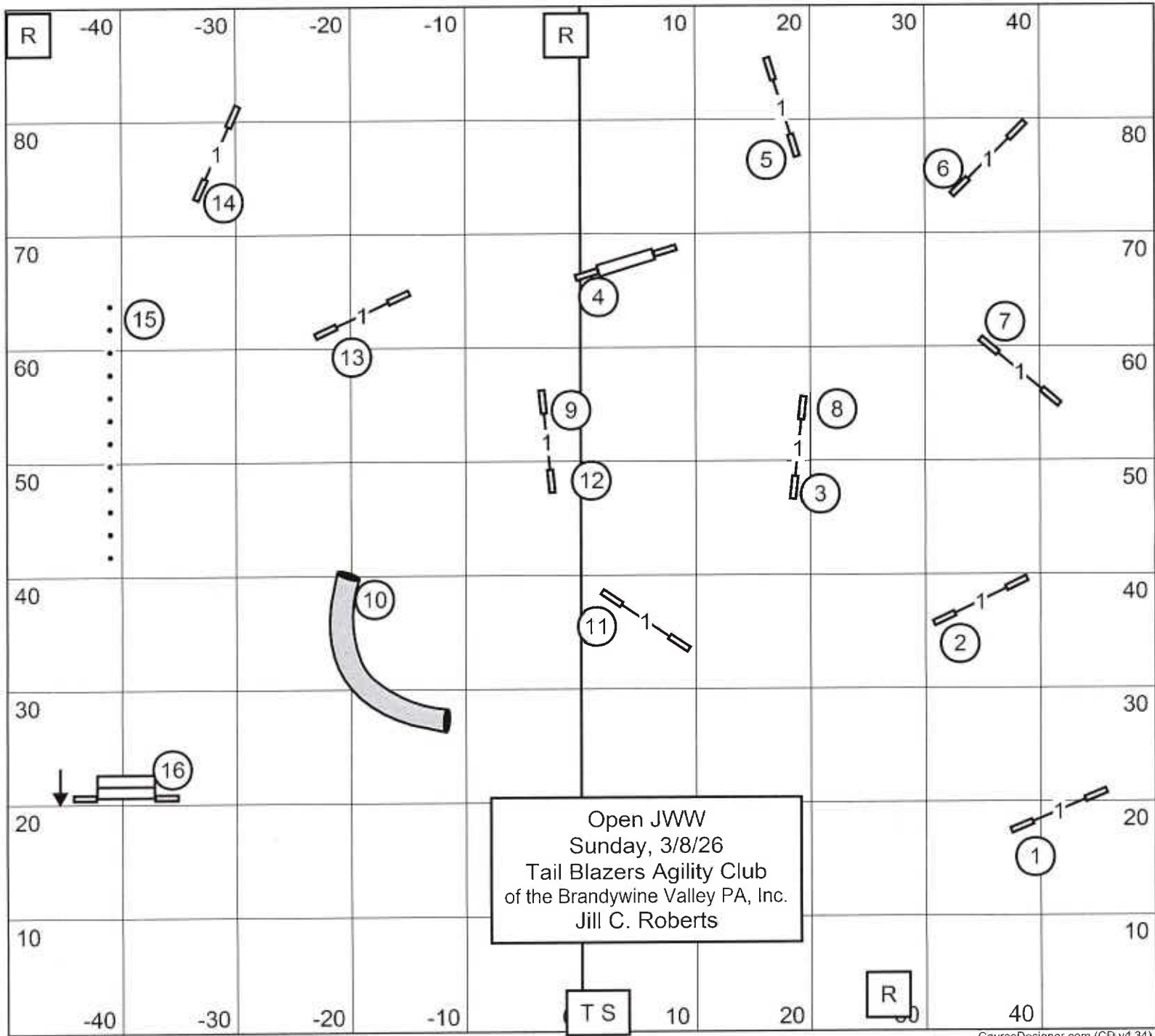
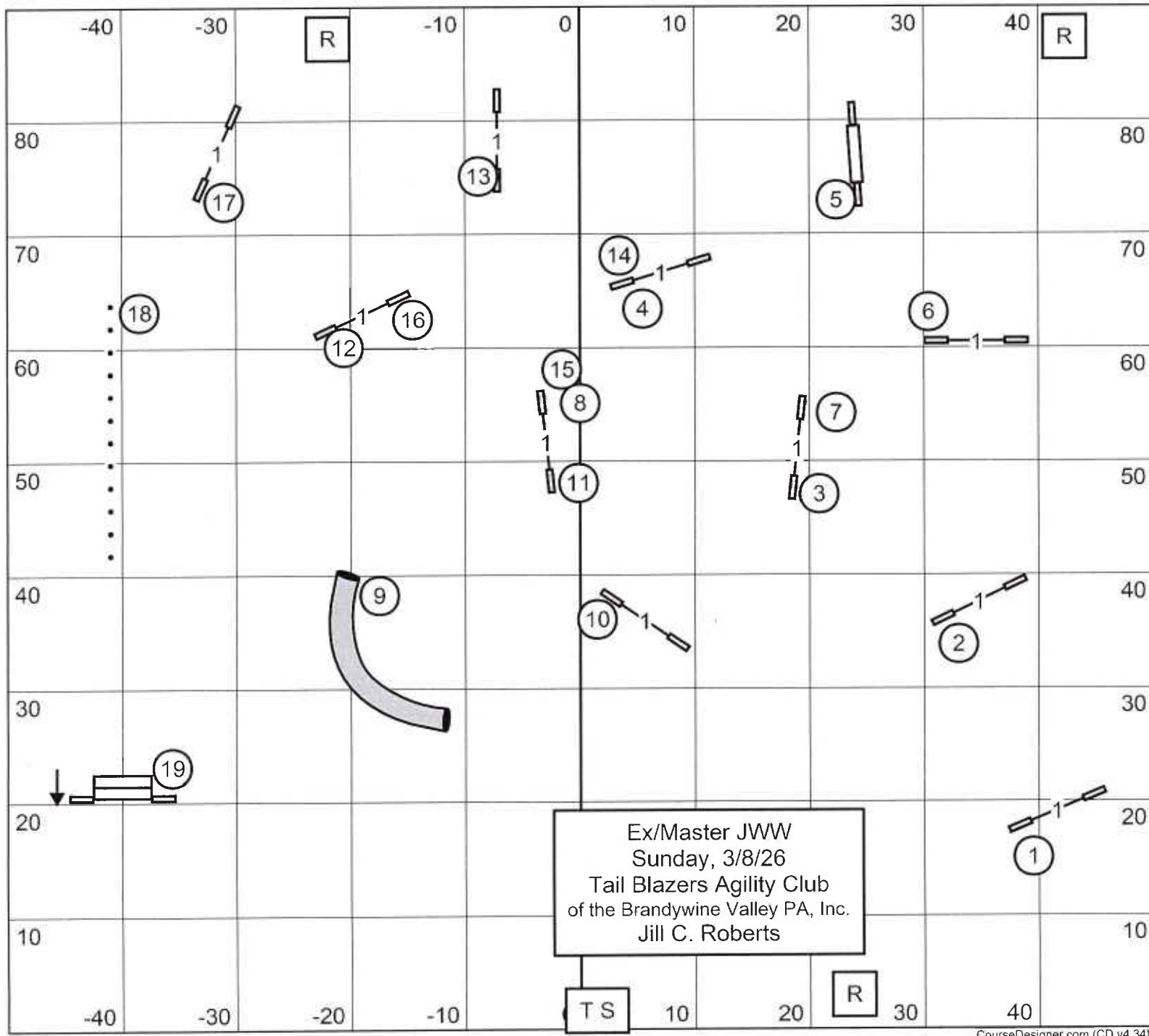
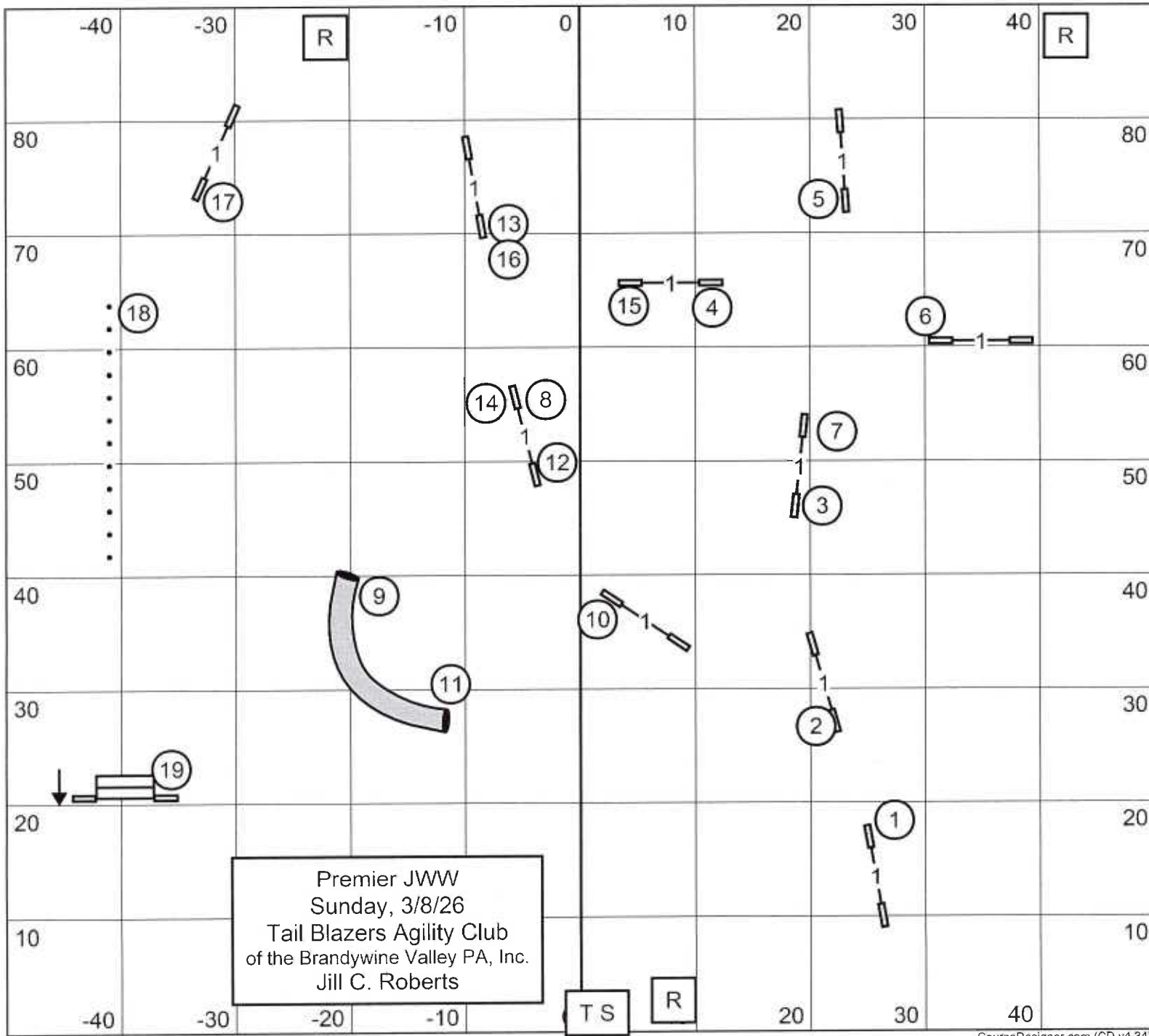


E/M Send: 6-4-5, dotted line- black then red
 Open Send: 6-4, solid line
 Novice Send: 6-4, dashed line



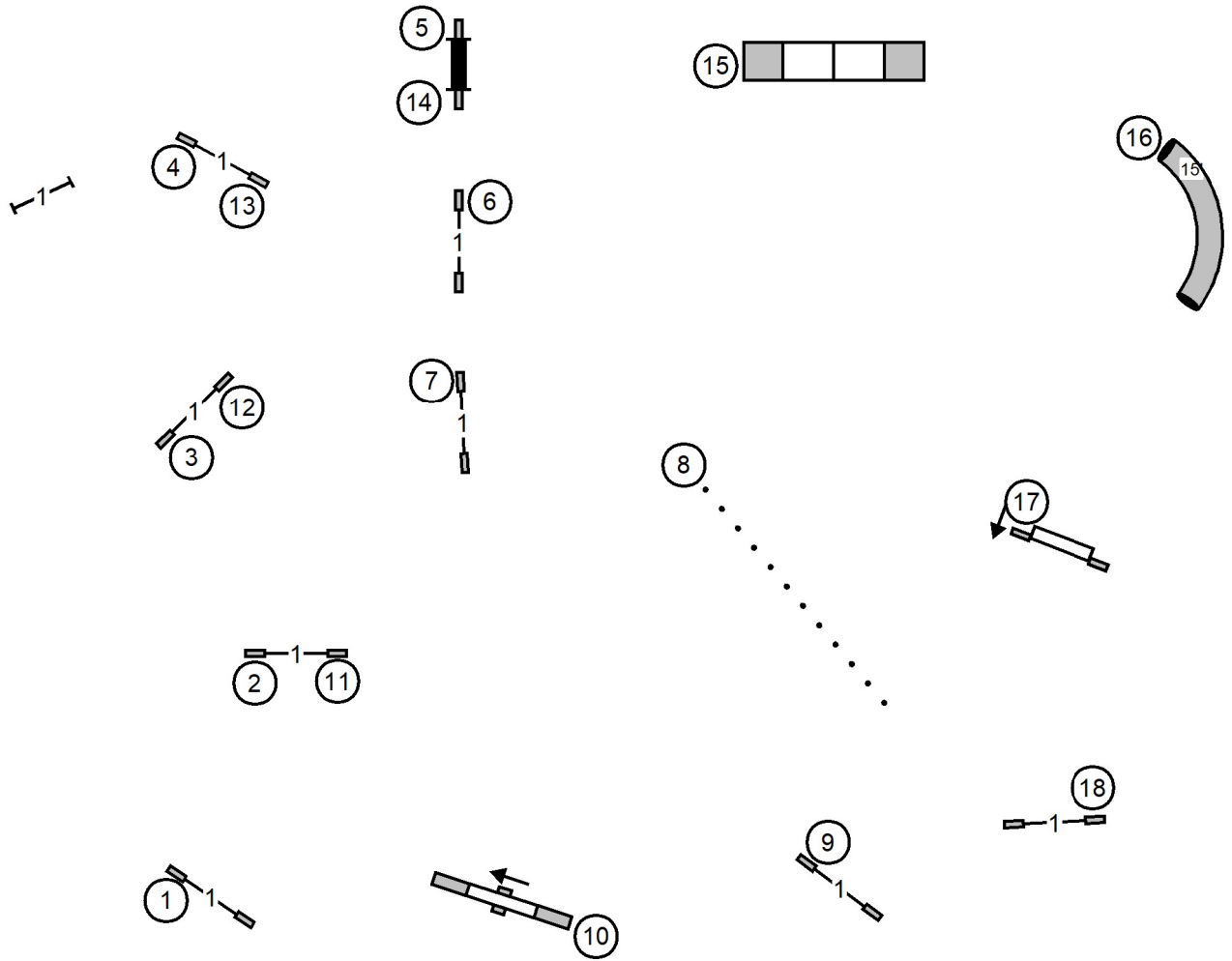






Time 2 Beat

Tail Blazers Agility Club
Sunday, March 8, 2026
Premier Sports Center
Southampton, NJ
Judge ~ Katrina Walters



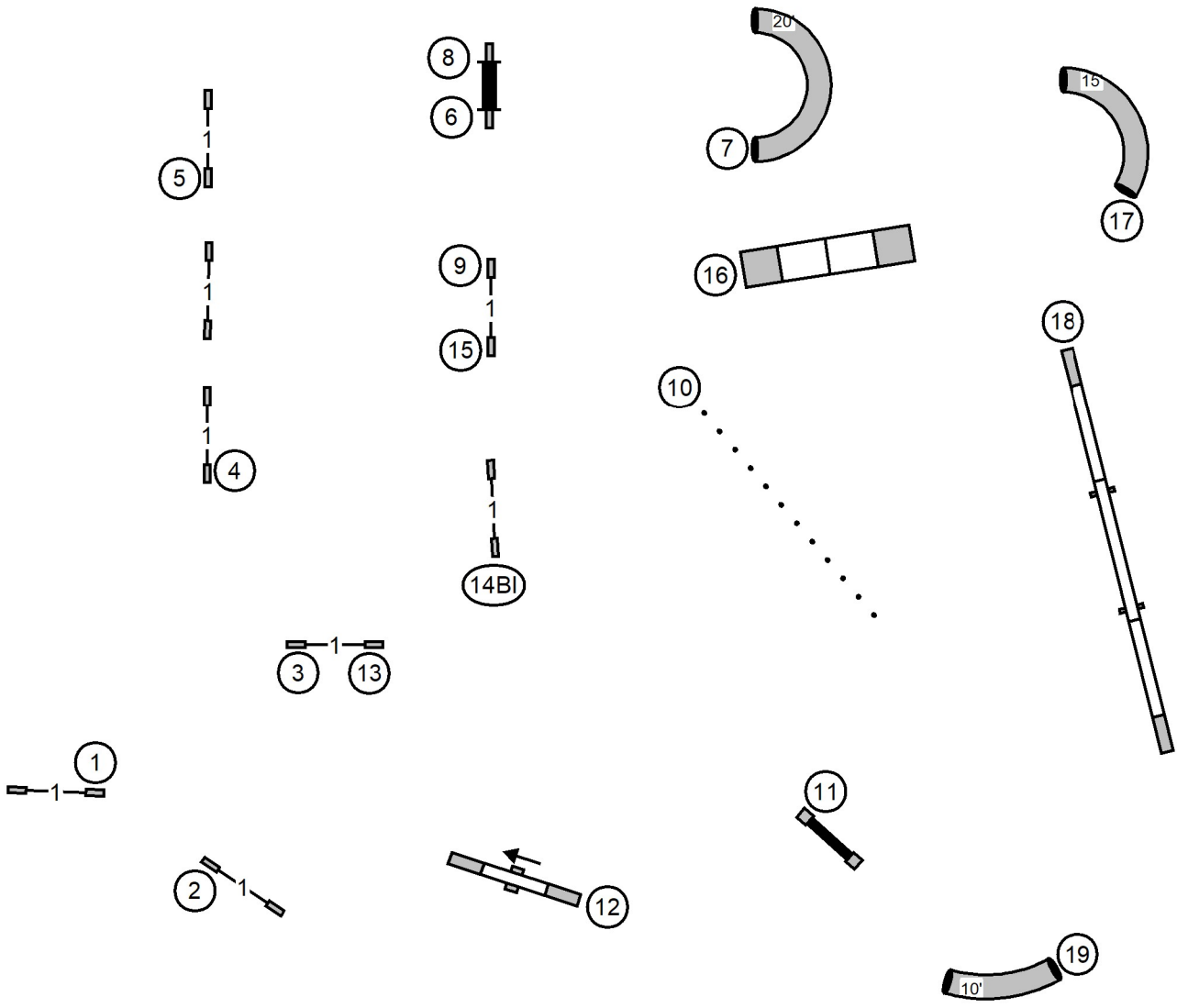
Enter

T/S

Exit

Premier STD

Tail Blazers Agility Club
Sunday, March 8, 2026
Premier Sports Center
Southampton, NJ
Judge ~ Katrina Walters



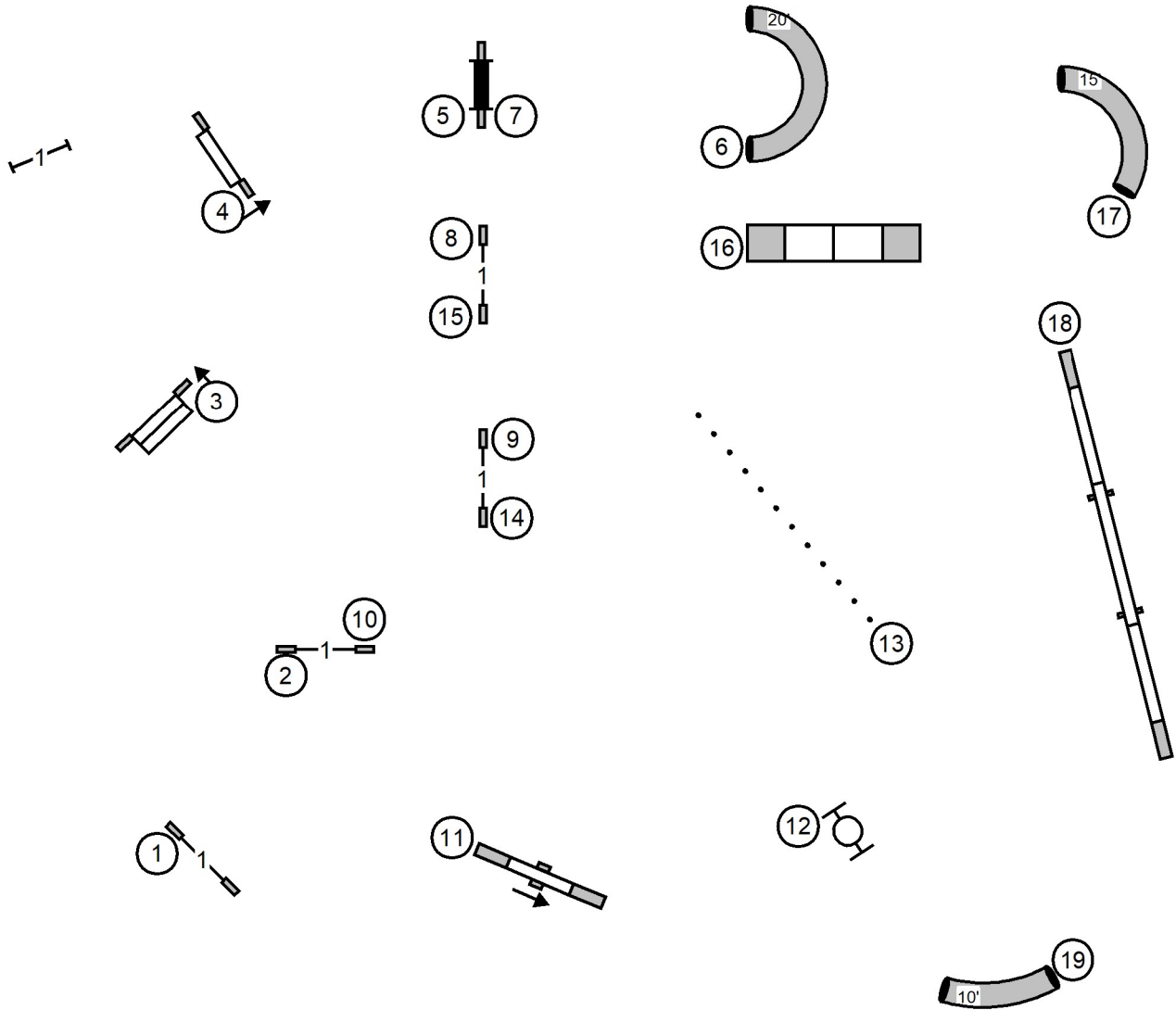
Enter

T/S

Exit

Master/Excellent STD

Tail Blazers Agility Club
Sunday, March 8, 2026
Premier Sports Center
Southampton, NJ
Judge ~ Katrina Walters



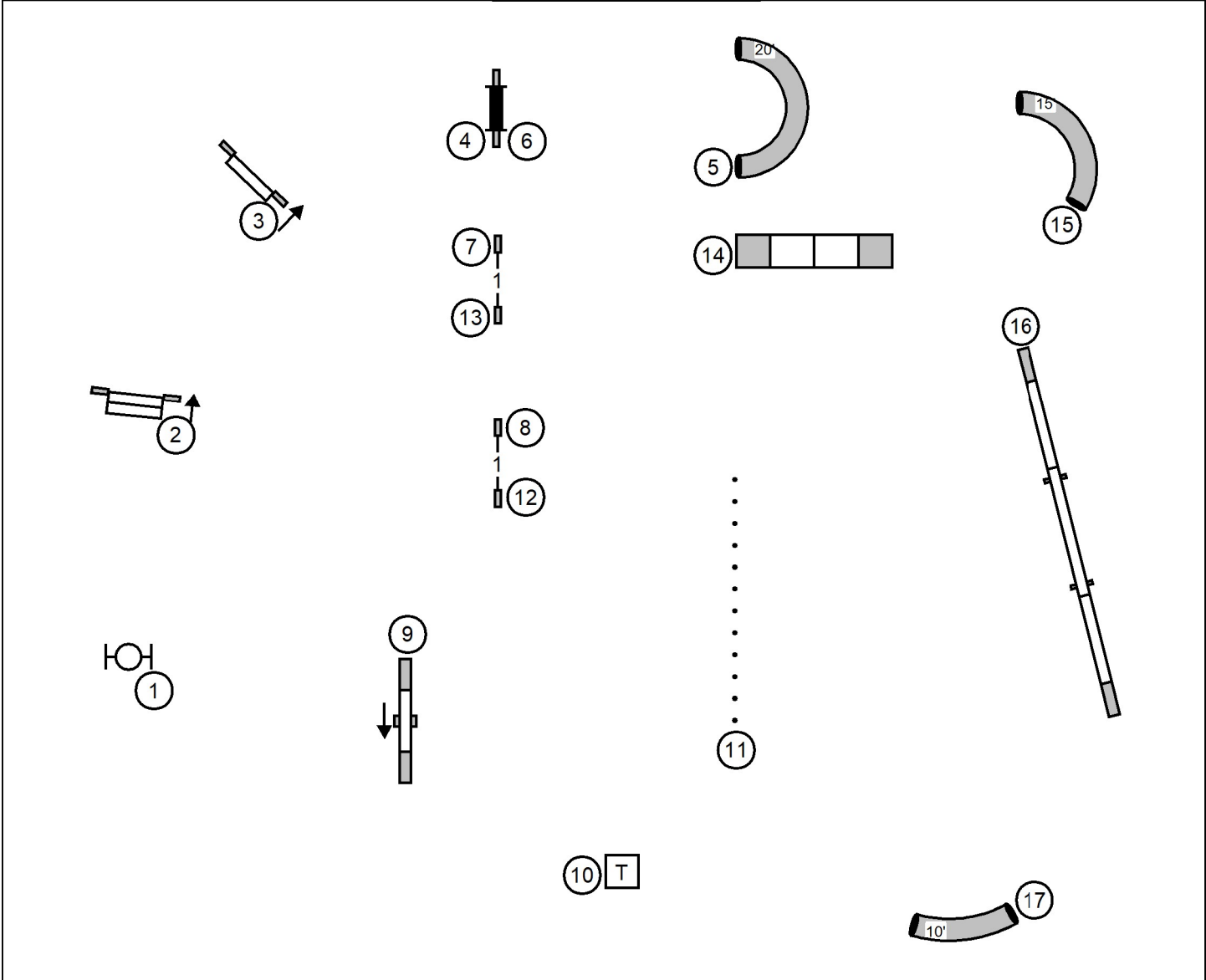
Enter

T/S

Exit

Open STD

Tail Blazers Agility Club
Sunday, March 8, 2026
Premier Sports Center
Southampton, NJ
Judge ~ Katrina Walters



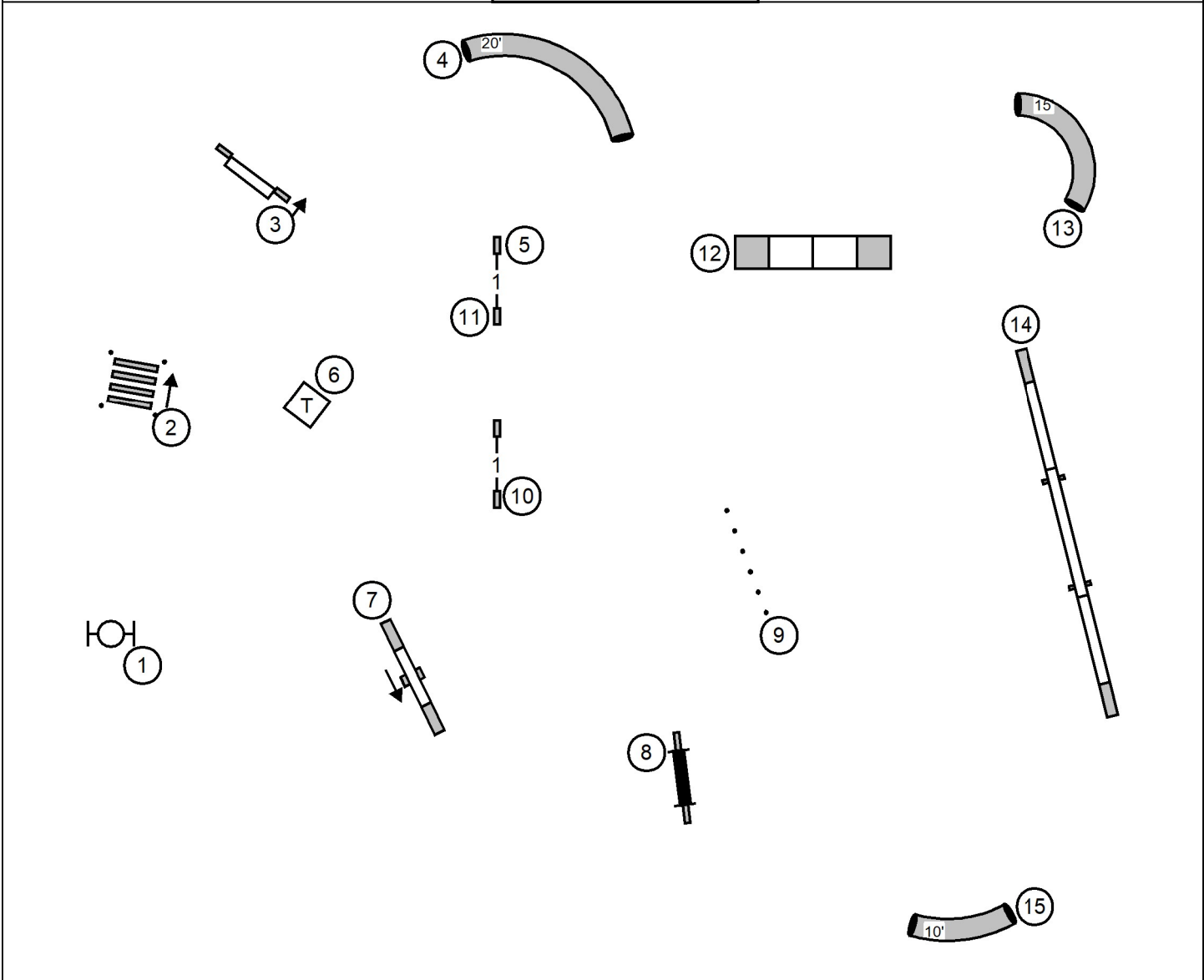
Enter

T/S

Exit

Novice STD

Tail Blazers Agility Club
Sunday, March 8, 2026
Premier Sports Center
Southampton, NJ
Judge ~ Katrina Walters



Enter

T/S

Exit